

Technical Specifications

Model Number	SH-20504
Ordering Code	001026
Power Supply	24V ~ 50VDC, capacity 0.2KVA
Current Output	Max. 4A/Ph.(Peak), adjustable by switches
Control Mode	Constant Current PWM Control
Excitation Mode	A Type : 4/ 8/ 16/ 32 micro-stepping.
	B Type : 5/10/ 20/ 40 micro-stepping.
Isolation Resistance	>500M Ω
Dielectric Strength	0.5KV, 1 minute
Cooling	Fan-cooling
Operation Ambient	Preventing dust, oil, corrosion
Operation Temperature	0 $^{\circ}$ C ~ +50 $^{\circ}$ C
Humidity	<80%RH, no condensation
Vibration	5.9m/s ² Max
Storage Temperature	-20 $^{\circ}$ C ~ +65 $^{\circ}$ C
Volume	133 \times 77 \times 46mm
Weight	0.52 Kg

Switch Options
◆ Output Current Setting

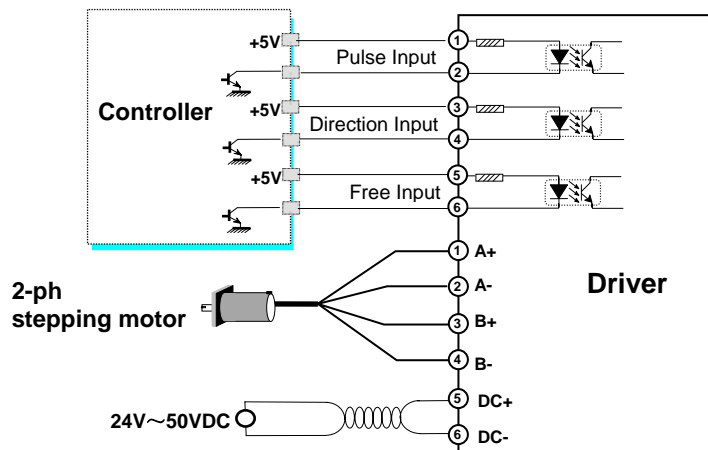
5	6		5	6	
OFF	OFF	4.0A	OFF	ON	3.0A
ON	OFF	3.7A	ON	ON	2.5A

◆ Micro-step Setting
A Type

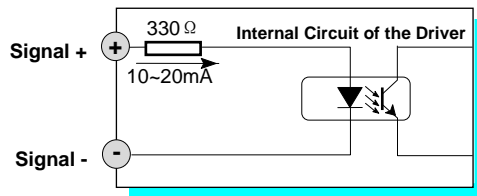
3	4		3	4	
OFF	OFF	4	OFF	ON	16
ON	OFF	8	ON	ON	32

B Type

3	4		3	4	
OFF	OFF	5	OFF	ON	20
ON	OFF	10	ON	ON	40

Typical Connection


Interface Circuit



Notice:

When the command input is not TTL compatible, a series resistor for current limiting should be added at each signal input port according to the voltage level you use, for example, 24V with 2kΩ.

Dimensions [Unit: mm]

