



2-PH MICRO-STEPPING DRIVER SH-20403

Ordering Code: 001012

Precise Current Control

High Reliability

Low Cost



Technical Specifications

(Ambient Temperature $T_j=25^{\circ}\text{C}$)

Power Supply	10V ~ 40VDC, Capacity 0.03KVA
Current Output	Max 3.0A/Ph. (Peak), adjustable by switches
Control Mode	Constant Current PWM Control
Excitation Mode (Step/Turn)	200, 400, 800, 1600, 3200, 6400, 12800, 25600
Isolation resistance	> 100M Ω
Isolation strength	0.5KV, 1Min

Cooling		Self-cooling
Operation Temperature	Operation Ambient	Preventing dust, oil, corrosion
	Temperature	-5 $^{\circ}\text{C}$ ~ +40 $^{\circ}\text{C}$
	Humidity	< 80%RH, no condensation, no frost
Storage Temperature	Vibration	5.9m/s ² Max
	Temperature	-40 $^{\circ}\text{C}$ ~ +55 $^{\circ}\text{C}$
	Humidity	< 93%RH, no condensation, no frost
Dimension		116 \times 60 \times 37mm
Weight		0.21 Kg

Function

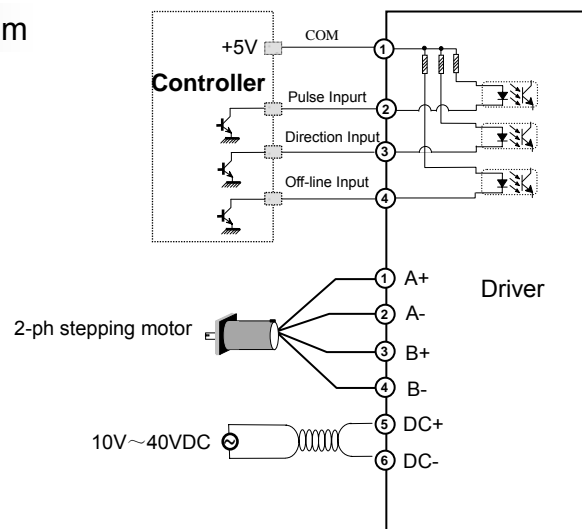
◆ Output-current Selection

SW5	SW6	SW7	Current	SW5	SW6	SW7	Current
ON	ON	ON	0.9A	OFF	ON	ON	2.1A
ON	ON	OFF	1.2A	OFF	ON	OFF	2.4A
ON	OFF	ON	1.5A	OFF	OFF	ON	2.7A
ON	OFF	OFF	1.8A	OFF	OFF	OFF	3.0A

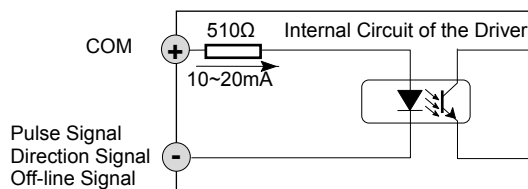
◆ Subdivision Selection

SW1	SW2	SW3	Subdivision	Steps	SW1	SW2	SW3	Subdivision	Steps
ON	ON	ON	128	25600	ON	ON	OFF	8	1600
OFF	ON	ON	64	12800	OFF	ON	OFF	4	800
ON	OFF	ON	32	6400	ON	OFF	OFF	Half-step	400
OFF	OFF	ON	16	3200	OFF	OFF	OFF	Full-step	200

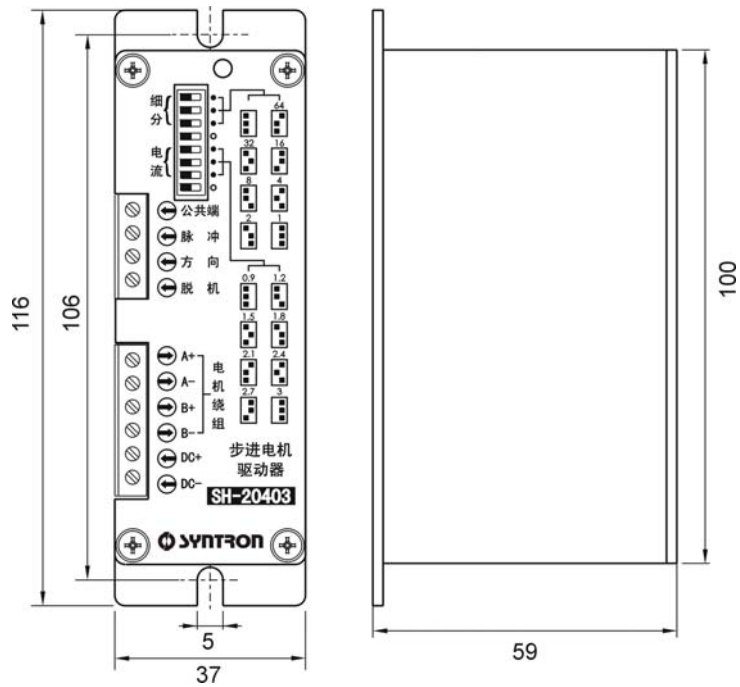
Wiring Diagram



Interface Circuit



Dimension [Unit: mm]



Beijing HollySys Electric Tech. Co., Ltd.

Add: A-10F, HuiZhi Building, No.9 Xueqing Road, Haidian Dist., Beijing, P.R. China

Postcode: 100085

Tel: 86-10-62932100

Fax: 86-10-62927946

Website: www.syn-tron.com

©2013 by Hollysys Electric