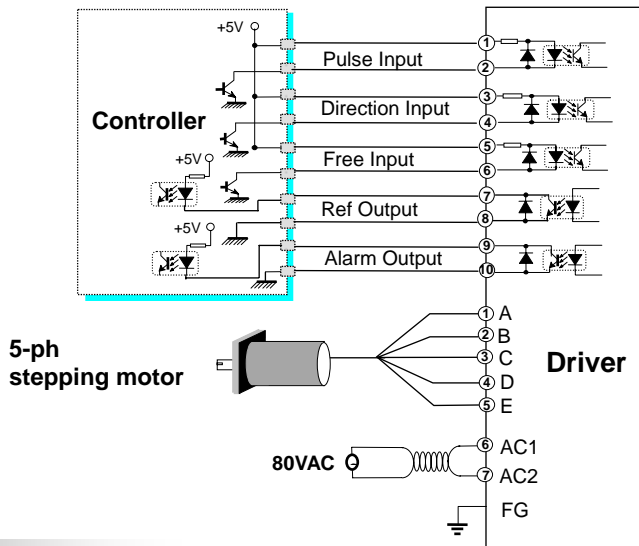




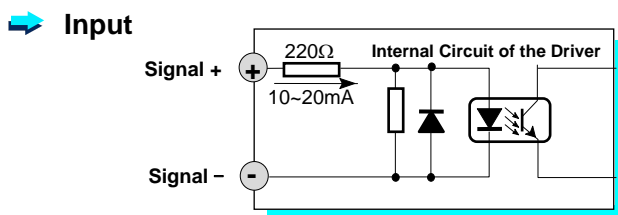
Technical Specifications

Model Number	SH-50806B
Ordering Code	001225
Power Supply	80VAC, 50Hz, Capacity 0.4KVA
Current Output	Max .6A/Ph.(RMS) ; adjustable by switches
Control Mode	Constant Current Control ; Variable Voltage Variable Frequency
Excitation Mode	Full/half step
Isolation Resistance	> 100M Ω
Dielectric Strength	1.0KV, 1 minute
Cooling	Fan-cooling
Operation Ambient	preventing dust, oil, corrosion
Operation Temperature	0°C ~ +40°C
Humidity	< 80%RH, no condensation
Vibration	5.9m/s ² Max
Storage Temperature	-20°C ~ +65°C
Volume	224 × 144 × 75mm
Weight	3.8 Kg

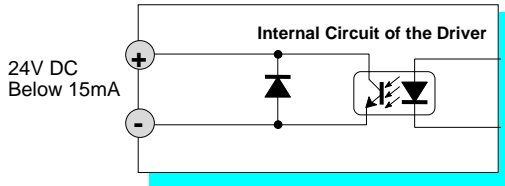
Typical Connection



Interface Circuit



← Output



Notice:

When the command input is not TTL compatible, a series resistor for current limiting should be added at each signal input port according to the voltage level you use, for example, 24V with 2kΩ.

Dimensions [Unit: mm]

