



Three-Phase Hybrid Stepping Motors 57 Series

High Speed, High Torque, Low noise



Insulation Resistance — 500VDC 100MΩ Min
 Axial Clearance — 1mm Max
 Radial Run-out — 0.02mm Max
 Temperature Rise — 65K Max
 Insulation Strength — 500VAC 1Min
 Insulation Grade — B
 Ambient Temperature — -25°C ~ +40°C
 Ambient Humidity — <85%RH
 Storage Temperature — -5°C ~ +30°C
 Storage Humidity — <75%RH

Technical Specifications

Product Codes	Motor Model	Phase	Step Angle (°)	Quiescent Current (A)	Phase Resistance (Ω)	Phase Inductance (mH)	Holdin g Torqu e (Nm)	Deten t Torqu e (Nm)	Voltage (VDC)	Weigh t (Kg)	Rotation al Inertia (g·cm ²)
062091	57BYG350BL-SASSML-0601	3	0.6/1.2	6.0	0.36	0.69	0.45	0.07	24~70	0.5	100
062092	57BYG350CL-SASSML-0601	3	0.6/1.2	6.0	0.36	1.13	0.9	0.08	24~70	0.75	220
062090	57BYG350DL-SASSML-0601	3	0.6/1.2	6.0	0.42	1.64	1.5	0.08	24~70	1.1	380

Adapter Driver:

SH-30806 SH-30806N SD-30807

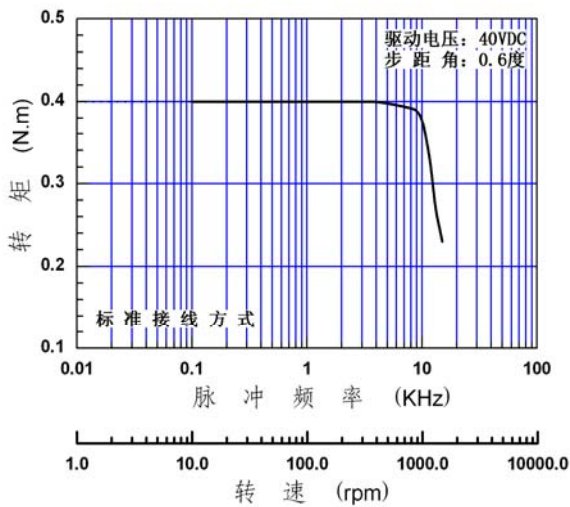
Model Description

57 BYG 3 50 B L- S A S S M L-060 1

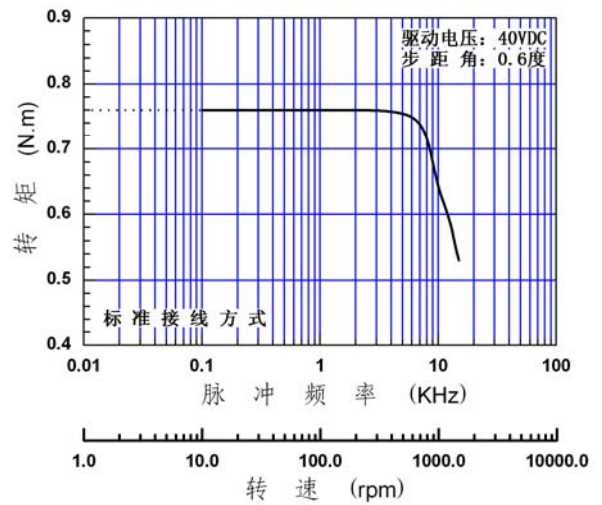
Design Code			
Phase Current	040: 4A	050: 5A	060: 6A
Wiring	L: outlet three-phase, three-wire		A : aviation plug
measurement	M: Metric	B : British System	H : Special Size
Form	S: square		R: Round
Shaft Key Form	K: flat key		S: axis
Shaft Extension	A: standard		B: longer
Shaft Extension Form	S: single		B: double
Voltage	L: Low Voltage		H: High Voltage
Machine Length			
Rotor Teeth	50: 50 teeth		
Phase	3: three-phase		
Structural Style	BYG: Hybrid		
Frame Size			

Frequency-torque Characteristics

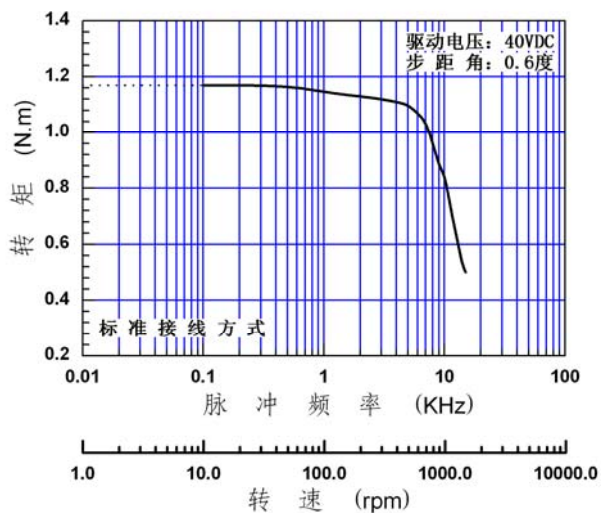
57BYG350BL-SASSML-0601



57BYG350CL-SASSML-0601

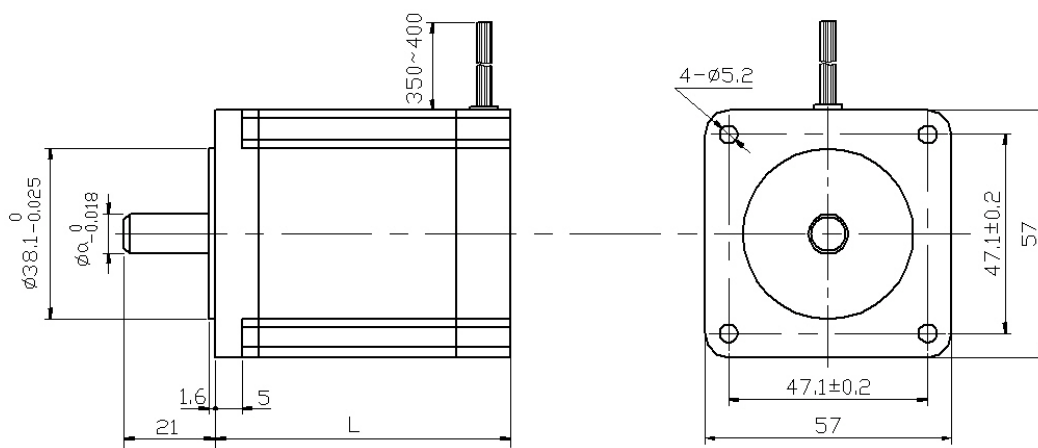


57BYG350DL-SASSML-0601



Dimension

[Unit: mm]



	57BYG350BL-SASSML	57BYG350CL-SASSML	57BYG350DL-SASSML
a	6.35	8	8
L	40.5	53.5	76.4

Wiring Instructions

Lead Wire	black	brown	blue
Motor wire	U	V	W

Note:

Be sure to use the motor front cover to install front edge for positioning when installing the drive, and note tolerances. Strictly ensure concentricity of the motor shaft and load shaft.

When the motor and drive connects, the wiring sequence of U, V, W three wires is not required.