



2-Phase Hybrid Stepping Motors 86 Series

High Torque/Volume Ratio, Low Resonance



Insulation Resistance:	500VDC 100MΩ Min
Shaft Axial Play:	1mm Max
Shaft Radial Play:	0.02mm Max
Temperature Rise:	65K Max
Dielectric Strength:	750VAC 1Minute
Ambient Temperature:	-25°C ~ +40°C
Class of Insulation:	B

Electrical Ratings

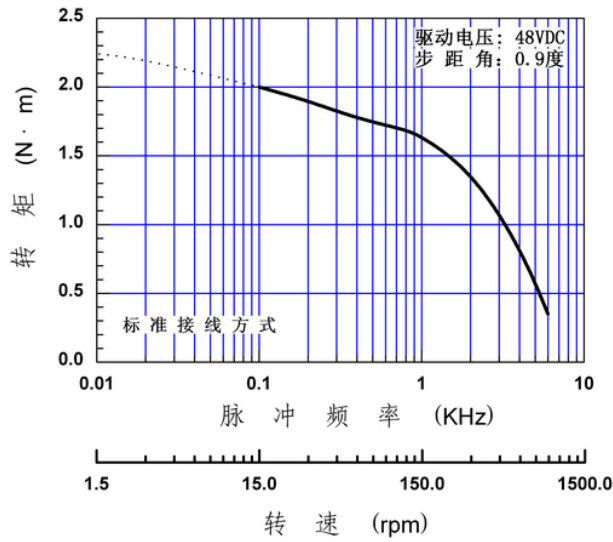
Items	Module	Phase	Step Angle (°)	Phase Current (A)	Phase Resistance (Ω)	Phase Inductance (mH)	Holding Torque (Nm)	Detent Torque (Nm)	Weight (kg)	Rotor Inertia (gcm ²)	Dimensions	Connection Diagram
000994	86BYG250AN-SAFRBL-0361	2	0.9/1.8	3.6	0.9	9.0	2.4	0.12	1.5	560	1	1
000201	86BYG250BS-SAKSML-0551	2	0.9/1.8	5.5	0.46	2.3	4.6	0.12	2.3	1400	3	1
000995	86BYG250BN-SAFRBL-0401	2	0.9/1.8	4.0	1.1	16.0	5.0	0.21	2.6	1200	1	1
000211	86BYG250DS-SAKSML-0601	2	0.9/1.8	6.0	0.44	4.0	8.0	0.24	3.8	2700	3	1
000889	86BYG250DN-SAKSBL--0501	2	0.9/1.8	5.0	0.49	16.0	8.3	0.28	3.8	2750	2	2

Matched driver: SD-20806 SD-20504 SH-20806D SH-20806E SH-20504 SH-21006C

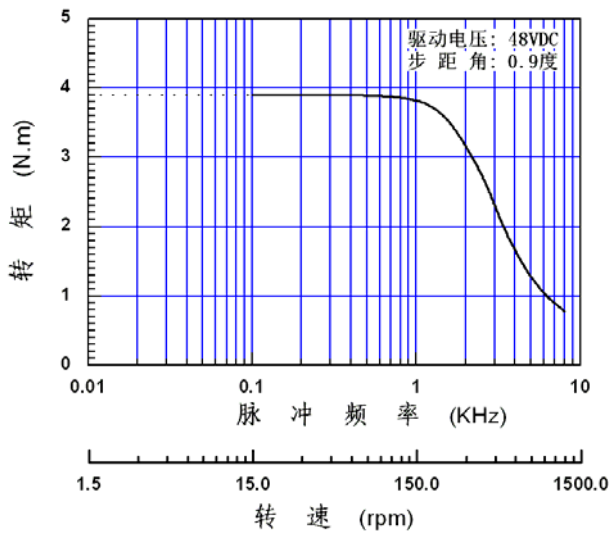
86BYG P1

Pullout torque Speed Curves

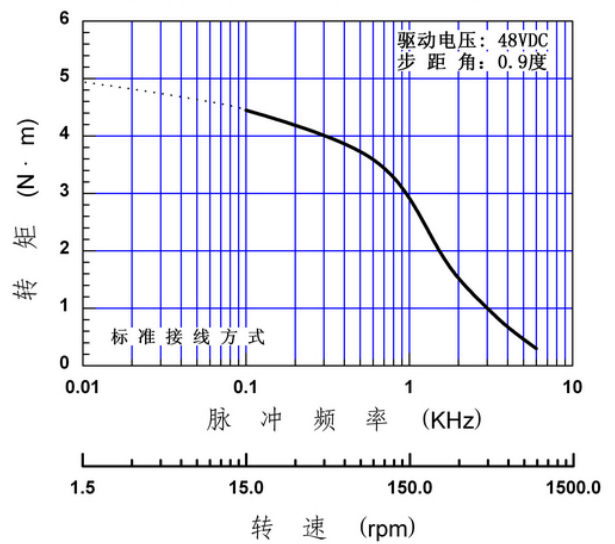
86BYG250AN - SAFRBL - 0361

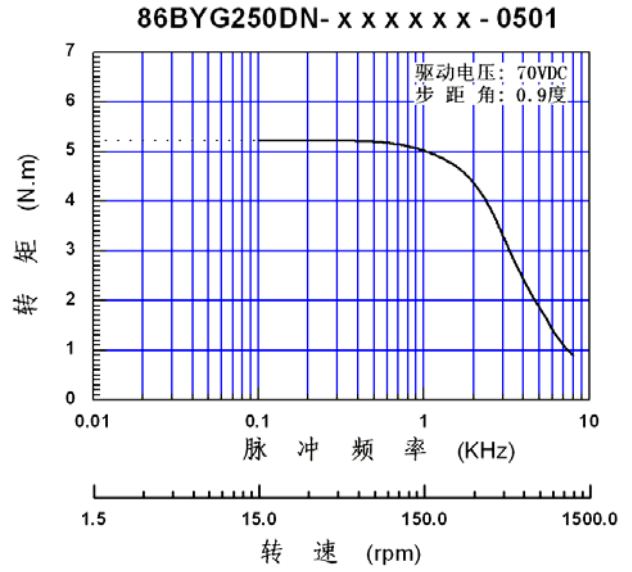
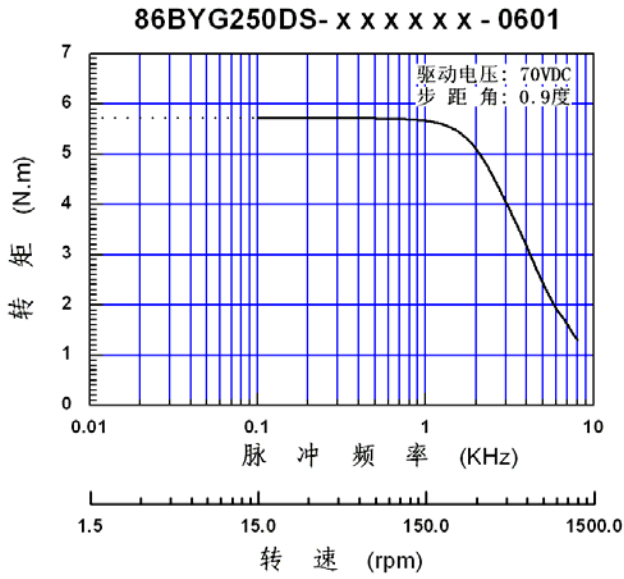


86BYG250BS- x x x x x - 0551



86BYG250BN - SAFRBL - 0401





Dimensions [Unit: mm]

Diagram 1 86BYG250xN – SAFRBL - xxxx

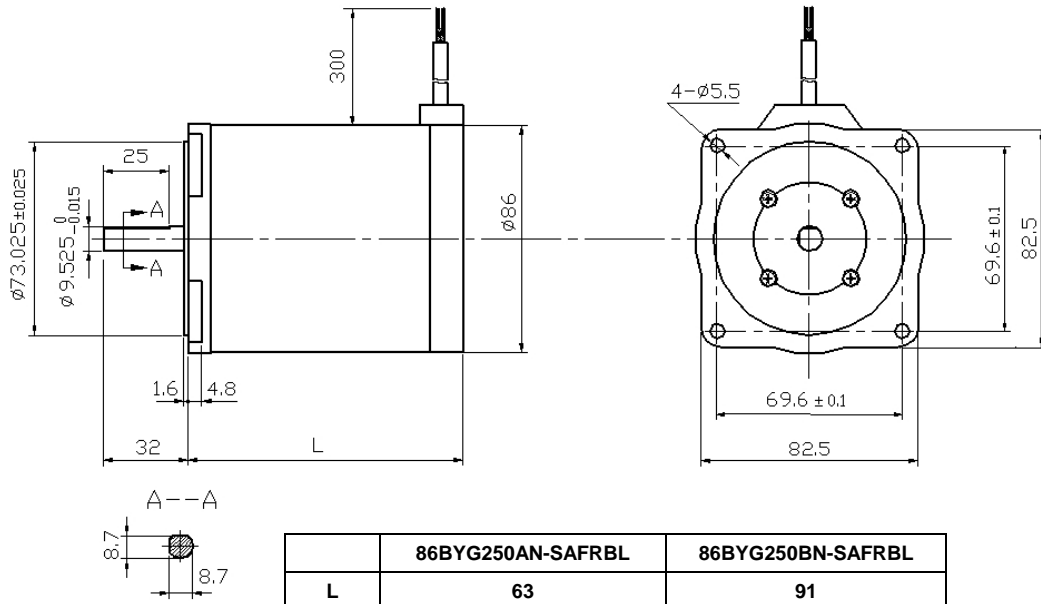


Diagram 2 86BYG250DN – SAKSBL - xxxx

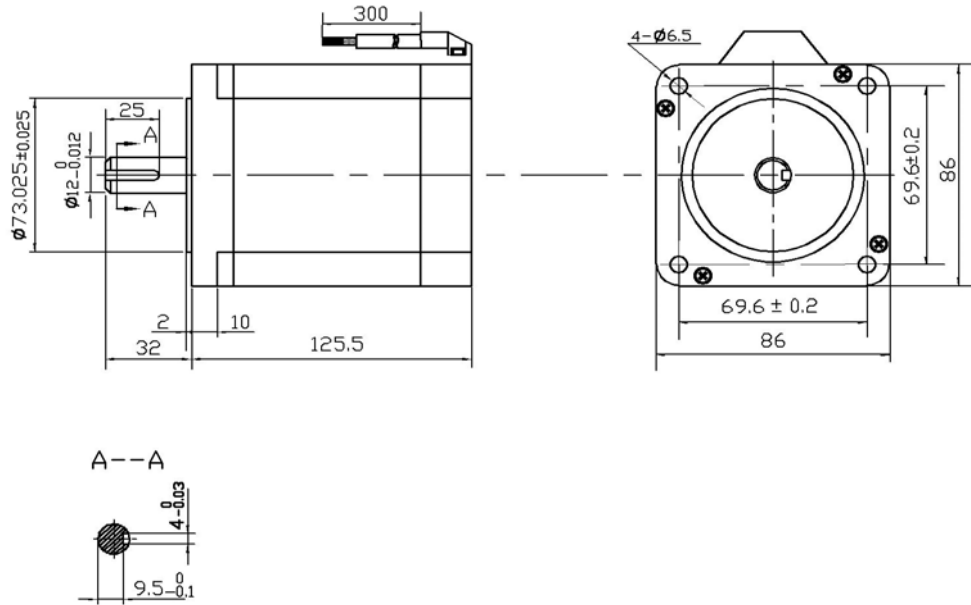
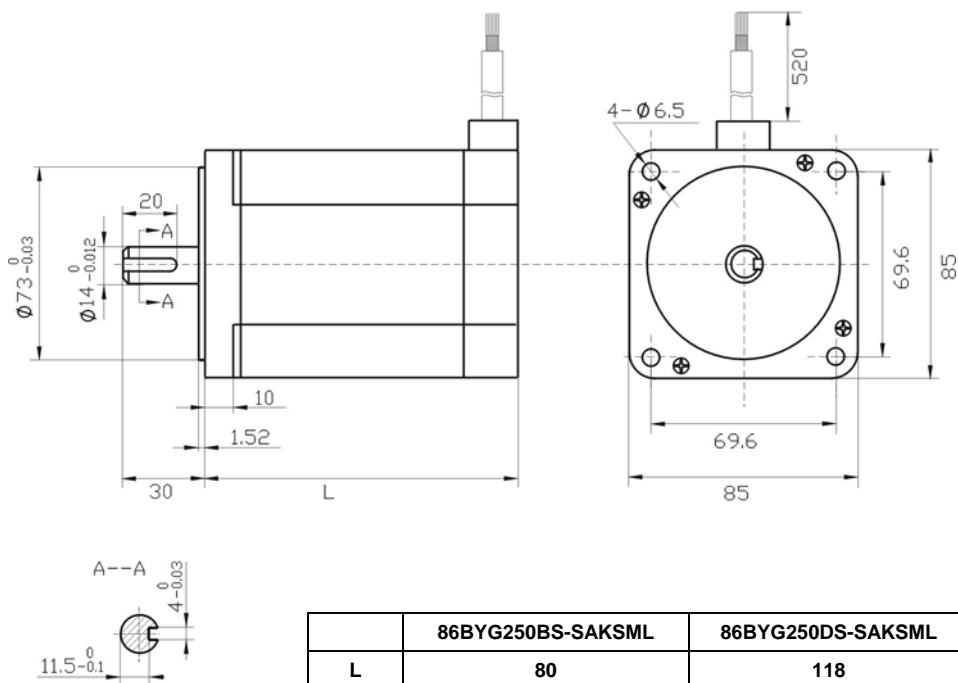
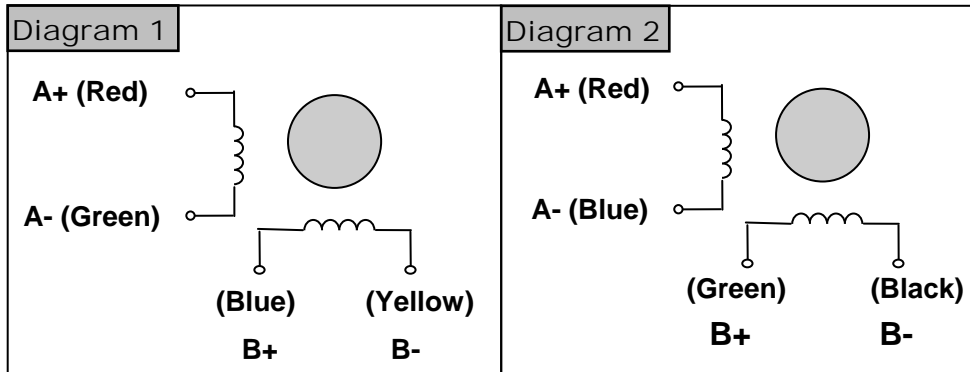


Diagram 3 86BYG250xS – SAKSML - xxxx



	86BYG250BS-SAKSML	86BYG250DS-SAKSML
L	80	118

Wiring Diagram



Cautions:

1. Flange mounting is mandatory for concentricity.
2. Hazard will happen for wrong connection.



Beijing HollySys Electric Tech. Co., Ltd.

Add: A-10F, HuiZhi Building, No.9 Xueqing Road, Haidian Dist.,
Beijing, P.R. China

Postcode: 100085

Tel: 86-10-62932100

Fax: 86-10-62927946

Website: www.syn-tron.com