

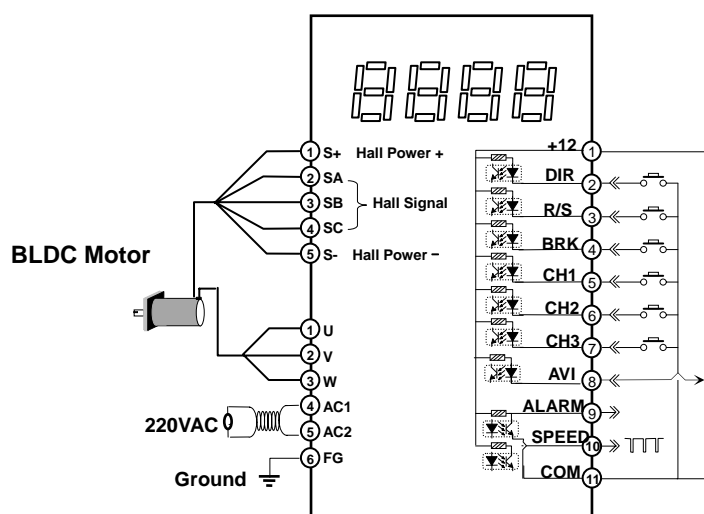
Technical Specifications

Model Number	BL-2203C
Ordering Code	001252
Power Supply	220VAC, 50Hz, capacity 0.8KVA
Rated Power	Max.600W, according to the selected motor
Rated Speed	Max. 8000RPM, according to the selected motor
Rated Torque	according to selected motor
Speed Range	150RPM~ rated speed
Speed Stability vs. Load	<±2%,at rated speed
Speed Stability vs. Voltage	<±1%, voltage ramp±10%, at rated speed without load
Speed Stability vs. Temp.	<±2%, 25℃~40℃ at rated speed without load
Isolation Resistance	>100MΩ
Dielectric Strength	1.0KV, 1 minute
Cooling	Fan-cooling
Operation Ambient	Preventing dust, oil, corrosion
Operation Temperature	0℃ ~ +45℃
Humidity	<80%RH, no condensation
Vibration	5.9m/s ² Max
Storage Temperature	-20℃ ~ +65℃
Volume	183×116×63mm
Weight	1.0 Kg

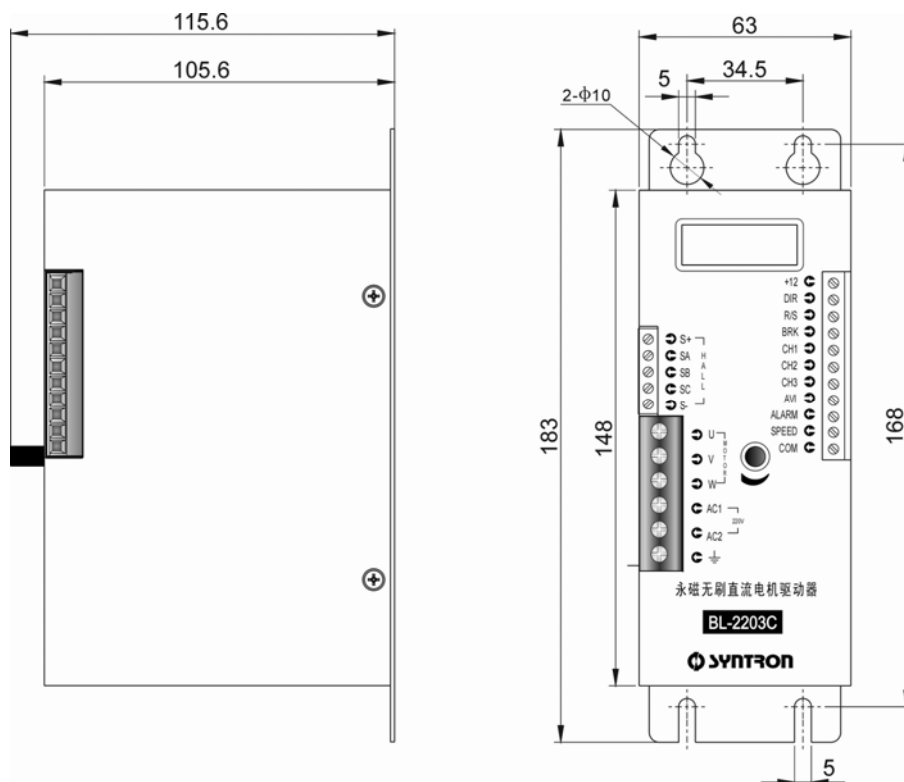
Terminal Definition

Terminal Name		Definition
Power	AC1、AC2	AC Power Supply
	U、V、W	Power Output to Motor
	FG	Power Ground
Hall Sensor	S+、S-、SA、SB、SC	Hall Sensor Signals
Inputs	+12	External Power for Speed Input
	COM	Common
	AVI	Analog Velocity Input
	DIR	Direction of Rotation
	R/S	Run/ Stop Control
	CH1~ 3	Multi-stage Speed Selection
Outputs	BRK	Braking Input
	ALARM	Fault/Error Output
	SPEED	Speed Pulse Output

Typical Connection



Dimensions [Unit: mm]



Beijing HollySys Electric Tech. Co., Ltd.

Add: A-10F, HuiZhi Building, No.9 XueQing Road, HaiDian
Dist., Beijing, P.R. China

Postcode: 100085

Tel: 86-10-62932100

Fax: 86-10-62927946